

MS2420

ISOMAG 



FLOMOTION
SYSTEMS

ELECTROMAGNETIC FLOW SENSOR

Reliable full-pipe flow measurement with high accuracy, ease of installation and low operating cost



This MS2420 sensor with compact MV800 converter includes standard tri-clamp fittings and a PTFE liner for sanitary applications.

TYPICAL APPLICATIONS

- Cosmetics
- Juices
- Ketchup
- Milks
- Yogurt
- Water
- Wines
- Flavorings
- Soups
- Ice Cream Mixes
- Pharmaceuticals



MS2420 sensor with an MV110 converter

MS2420 FEATURES

- Accuracy to $\pm 0.2\%$ of rate from 1 to 33 ft/sec
- Sizes from 1" to 4" pipe diameters
- Flow ranges from 2 to 1200 GPM
- Standard Pressure: 232 PSI
- Volumetric flow rate measurement independent of fluid viscosity, density and temperature
- Bidirectional flow measurement
- No moving parts for zero maintenance
- No pressure drop through sensor
- Minimal straight pipe run required
- Suitable for vacuum service applications
- Every sensor is factory wet-calibrated



Authorization
n. 1035

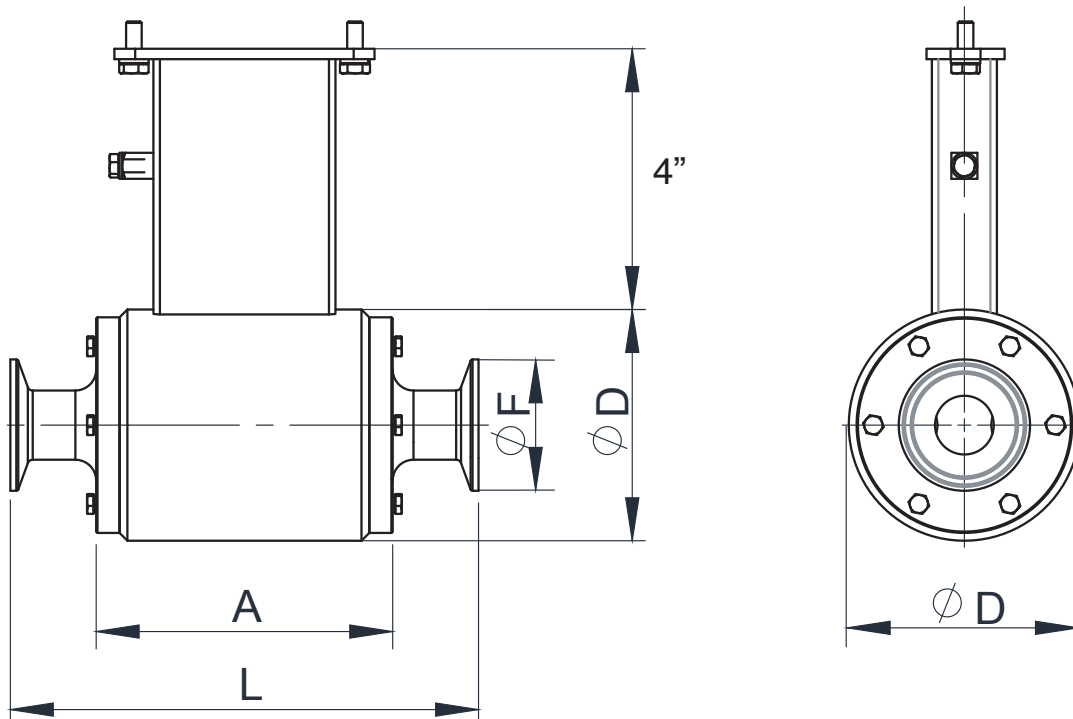
ELECTROMAGNETIC FLOWMETER

FLOMOTION MS2420 ENGINEERING SPECIFICATIONS

- Accuracy: See relevant converter data sheet
- Linearity: $\pm 0.10\%$ of span
- Pressure: 232 PSI with Tri-Clamp connections
- Liner Material: PTFE
- Housing Material: 304 SS
- Process Connections: 316 SS
- Electrode material: 316 SS*
- Number of electrodes: 2
- Temperature: Liquid -4 to 230°F
- Environmental Rating: NEMA 6
- Minimum Conductivity: 5 mS/cm
- Vacuum Resistance: 20 Kpa absolute at 100 °C

AVAILABLE SIZES AND DIMENSIONS - BS 4825 Tri-Clamp Fittings

Size (in.)	1 (DN25)	1-1/2 (DN40)	2 (DN50)	3 (DN80)	4 (DN100)
Min Flow Rate (gpm @ 1 ft/sec)	2.37	6.08	9.49	24.30	37.97
Max Flow Rate (gpm @ 33 ft/sec)	77.9	199.3	311.5	797.4	1246
Length (L below)	7.09	7.09	7.09	7.87	7.87
Fittings (F below)	1.99	1.99	2.51	3.58	4.69
Body Diameter (D below)	3.50	4.25	5.08	6.14	6.61
Body Length (A below)	4.49	4.72	4.72	4.72	4.72



FLOMOTION SYSTEMS Inc.

3 North Main St.
 Middleport, NY 14105
 Tel: 716-691-3941
 Fax: 716-691-1253

Email: info@flomotionsystems.com
www.flomotionsystems.com

